

Overview

The Zilker Labs Digital-DC™ devices incorporate a non-linear response (NLR) loop that decreases the response time and the output voltage deviation in the event of a sudden output load current step. The NLR loop incorporates a secondary error signal processing path that bypasses the primary error loop when the output begins to transition outside of the standard regulation limits. This scheme results in a higher equivalent loop bandwidth that what is possible using a traditional linear loop.

When a load current step function imposed on the output causes the output voltage to drop below the lower regulation limit, the NLR circuitry will force a positive correction signal that will turn on the upper MOSFET and quickly force the output to increase. Conversely, a negative load step (i.e. removing a large load current) will cause the NLR circuitry to force a negative correction signal that will turn on the upper MOSFET and quickly force the output to decrease. Refer to Figure 1.

There are three types of configuration setting variables utilized in the NLR: thresholds, time-outs and blanking. The following paragraphs explain how these settings affect the NLR response and the method for configuring them for optimum performance.

NLR thresholds

The thresholds are referred to as high side and low side, and can be set from 0.5% to 4.0% of the nominal output voltage in 0.5% steps.

When the output voltage crosses the high side threshold, the high side MOSFET (QH in Figure 3) is immediately turned on, and the low side MOSFET (QL) is turned off. This immediate change to the state of a MOSFET is referred to as a “correction”. Since a high side threshold corresponds to an on-time correction to the high side MOSFET, the high side threshold is below the output voltage. Likewise, the low side threshold can be set from 0.5% to 4.0% above the nominal output voltage in 0.5% steps, and is independent of the setting of the high side threshold. In a similar fashion, if the low side threshold is exceeded, the low side MOSFET is immediately turned-on and the high side MOSFET is turned off.

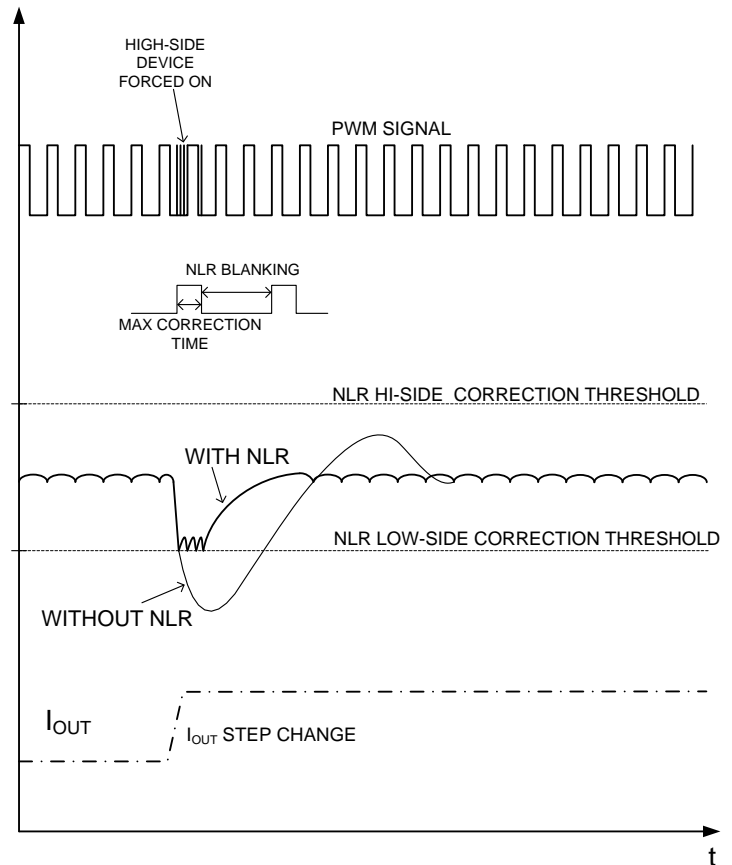


Figure 1. Non Linear Response (NLR)

The NLR thresholds are set with the NLR_CONFIG command and should be set 0.5% to 1.0% above the measured output voltage peak ripple and noise to avoid unintentional activation of NLR. Both the high side and low side thresholds have corresponding “outer” or higher/lower limits, and are set automatically to two times (2X) the high and low side thresholds respectively.

The use of outer thresholds is optional. The effectiveness of outer thresholds are evaluated by applying step loads with outer thresholds enabled and disabled and observing the resulting output voltage response on an oscilloscope. When any NLR threshold is exceeded, the correction continues until either the output voltage returns to within 0.25% of the nominal output voltage, called the hysteresis threshold, or the corresponding maximum correction time has expired.

Maximum Correction Time

The maximum high side and low side correction times are expressed as $1/64^{\text{th}}$ fractions of the total switching period ($1/f_{\text{sw}}$). The high side and low side correction times can be set from 1 to 7 of these $1/64^{\text{th}}$ switching period fractions independently.

Blanking

When an NLR correction has terminated, either due to a hysteresis threshold crossing or expiration of a correction time, a blanking timer is started. During a blanking time, corrections from the NLR are blocked and do not change the state of the top or bottom MOSFETs. Blanking time is set from 0 to 15 time units which are dependent on the voltage across the output inductor, V_L . For high side corrections, V_L is $V_{\text{in}} - V_{\text{out}}$ and for low side corrections V_L is V_{out} . The blanking time units are V_L times $1/64^{\text{th}}$ fractions of the total switching period ($1/f_{\text{sw}}$). A minimum blanking time is set by the controller IC and is equal to the current sensing delay time. The default current sense delay time is 254 ns for DCR sensing (using the inductor's parasitic resistance as a current sensing element and 672 ns when using $R_{\text{DS(on)}}$ sensing (using QL as the current sensing element).

Setting Correction and Blanking times

The NLR parameters are set using the NLR_CONFIG command. Figure 2 shows nominal NLR settings for the ZL2005.

In general, blanking time can be left at zero since the device has minimum default blanking times as

described above. As with outer thresholds, correction and blanking times are optimized by experimentation.

Table 1. NLR Parameters

Parameter	Range	Units
High Side Threshold	0.5 to 4.0	% of V_{OUT}
Low Side Threshold	0.5 to 4.0	% of V_{OUT}
High Side Max Correction Time	1, 3, 5, 7	$\times T_{\text{sw}}/64$
Low Side Max Correction Time	1, 3, 5, 7	$\times T_{\text{sw}}/64$
Blanking Control	0 - 15	$\times V_L \times T_{\text{sw}}/64$

After setting suitable high and low side thresholds, start with a correction time of 1 and a blanking time of 0. Apply the maximum expected load step and observe the output voltage response. The output voltage should settle back within the desired regulation band within 2 or less opposite NLR excursions in the polarity opposite the initial output voltage deviation, also referred to as overshoot. More than 2 overshoots will cause an excessive increase in the effective switching frequency and could lead to a reduction in overall power supply efficiency. Continue to increase the correction time with a corresponding increase in blanking until a balance is met between improved transient response and number of overshoots. Likewise, reduce the blanking time to optimize transient response and minimize overshoots. Finally, test the NLR settings over input voltage and output step current variations to verify that the desired performance has been achieved.



Figure 2. Nominal Settings for ZL2005

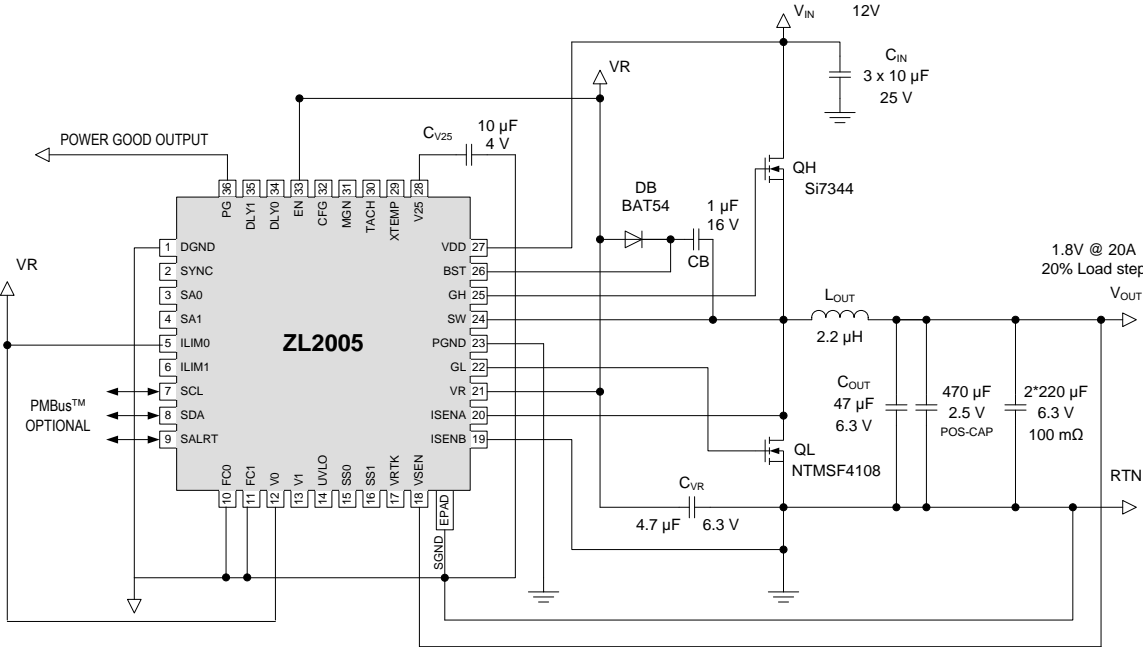


Figure 3. Typical Application Circuit

Notice

1. Descriptions of circuits, software and other related information in this document are provided only to illustrate the operation of semiconductor products and application examples. You are fully responsible for the incorporation or any other use of the circuits, software, and information in the design of your product or system. Renesas Electronics disclaims any and all liability for any losses and damages incurred by you or third parties arising from the use of these circuits, software, or information.
2. Renesas Electronics hereby expressly disclaims any warranties against liability for infringement or any other claims involving patents, copyrights, or other intellectual property rights of third parties, by or arising from the use of Renesas Electronics products or technical information described in this document, including but not limited to, the product data, drawings, charts, programs, algorithms, and application examples.
3. No license, express, implied or otherwise, is granted hereby under any patents, copyrights or other intellectual property rights of Renesas Electronics or others.
4. You shall not alter, modify, copy, or reverse engineer any Renesas Electronics product, whether in whole or in part. Renesas Electronics disclaims any and all liability for any losses or damages incurred by you or third parties arising from such alteration, modification, copying or reverse engineering.
5. Renesas Electronics products are classified according to the following two quality grades: "Standard" and "High Quality". The intended applications for each Renesas Electronics product depends on the product's quality grade, as indicated below.
"Standard": Computers; office equipment; communications equipment; test and measurement equipment; audio and visual equipment; home electronic appliances; machine tools; personal electronic equipment; industrial robots; etc.
"High Quality": Transportation equipment (automobiles, trains, ships, etc.); traffic control (traffic lights); large-scale communication equipment; key financial terminal systems; safety control equipment; etc.
Unless expressly designated as a high reliability product or a product for harsh environments in a Renesas Electronics data sheet or other Renesas Electronics document, Renesas Electronics products are not intended or authorized for use in products or systems that may pose a direct threat to human life or bodily injury (artificial life support devices or systems; surgical implantations; etc.), or may cause serious property damage (space system; undersea repeaters; nuclear power control systems; aircraft control systems; key plant systems; military equipment; etc.). Renesas Electronics disclaims any and all liability for any damages or losses incurred by you or any third parties arising from the use of any Renesas Electronics product that is inconsistent with any Renesas Electronics data sheet, user's manual or other Renesas Electronics document.
6. When using Renesas Electronics products, refer to the latest product information (data sheets, user's manuals, application notes, "General Notes for Handling and Using Semiconductor Devices" in the reliability handbook, etc.), and ensure that usage conditions are within the ranges specified by Renesas Electronics with respect to maximum ratings, operating power supply voltage range, heat dissipation characteristics, installation, etc. Renesas Electronics disclaims any and all liability for any malfunctions, failure or accident arising out of the use of Renesas Electronics products outside of such specified ranges.
7. Although Renesas Electronics endeavors to improve the quality and reliability of Renesas Electronics products, semiconductor products have specific characteristics, such as the occurrence of failure at a certain rate and malfunctions under certain use conditions. Unless designated as a high reliability product or a product for harsh environments in a Renesas Electronics data sheet or other Renesas Electronics document, Renesas Electronics products are not subject to radiation resistance design. You are responsible for implementing safety measures to guard against the possibility of bodily injury, injury or damage caused by fire, and/or danger to the public in the event of a failure or malfunction of Renesas Electronics products, such as safety design for hardware and software, including but not limited to redundancy, fire control and malfunction prevention, appropriate treatment for aging degradation or any other appropriate measures. Because the evaluation of microcomputer software alone is very difficult and impractical, you are responsible for evaluating the safety of the final products or systems manufactured by you.
8. Please contact a Renesas Electronics sales office for details as to environmental matters such as the environmental compatibility of each Renesas Electronics product. You are responsible for carefully and sufficiently investigating applicable laws and regulations that regulate the inclusion or use of controlled substances, including without limitation, the EU RoHS Directive, and using Renesas Electronics products in compliance with all these applicable laws and regulations. Renesas Electronics disclaims any and all liability for damages or losses occurring as a result of your noncompliance with applicable laws and regulations.
9. Renesas Electronics products and technologies shall not be used for or incorporated into any products or systems whose manufacture, use, or sale is prohibited under any applicable domestic or foreign laws or regulations. You shall comply with any applicable export control laws and regulations promulgated and administered by the governments of any countries asserting jurisdiction over the parties or transactions.
10. It is the responsibility of the buyer or distributor of Renesas Electronics products, or any other party who distributes, disposes of, or otherwise sells or transfers the product to a third party, to notify such third party in advance of the contents and conditions set forth in this document.
11. This document shall not be reprinted, reproduced or duplicated in any form, in whole or in part, without prior written consent of Renesas Electronics.
12. Please contact a Renesas Electronics sales office if you have any questions regarding the information contained in this document or Renesas Electronics products.
(Note 1) "Renesas Electronics" as used in this document means Renesas Electronics Corporation and also includes its directly or indirectly controlled subsidiaries.
(Note 2) "Renesas Electronics product(s)" means any product developed or manufactured by or for Renesas Electronics.

(Rev.4.0-1 November 2017)



SALES OFFICES

Renesas Electronics Corporation

<http://www.renesas.com>

Refer to "<http://www.renesas.com/>" for the latest and detailed information.

Renesas Electronics America Inc.

1001 Murphy Ranch Road, Milpitas, CA 95035, U.S.A.
Tel: +1-408-432-8888, Fax: +1-408-434-5351

Renesas Electronics Canada Limited

9251 Yonge Street, Suite 8309 Richmond Hill, Ontario Canada L4C 9T3
Tel: +1-905-237-2004

Renesas Electronics Europe Limited

Dukes Meadow, Millboard Road, Bourne End, Buckinghamshire, SL8 5FH, U.K
Tel: +44-1628-651-700, Fax: +44-1628-651-804

Renesas Electronics Europe GmbH

Arcadiastrasse 10, 40472 Düsseldorf, Germany
Tel: +49-211-6503-0, Fax: +49-211-6503-1327

Renesas Electronics (China) Co., Ltd.

Room 1709 Quantum Plaza, No.27 ZhichunLu, Haidian District, Beijing, 100191 P. R. China
Tel: +86-10-8235-1155, Fax: +86-10-8235-7679

Renesas Electronics (Shanghai) Co., Ltd.

Unit 301, Tower A, Central Towers, 555 Langao Road, Putuo District, Shanghai, 200333 P. R. China
Tel: +86-21-2226-0888, Fax: +86-21-2226-0999

Renesas Electronics Hong Kong Limited

Unit 1601-1611, 16/F., Tower 2, Grand Century Place, 193 Prince Edward Road West, Mongkok, Kowloon, Hong Kong
Tel: +852-2265-6688, Fax: +852 2886-9022

Renesas Electronics Taiwan Co., Ltd.

13F, No. 363, Fu Shing North Road, Taipei 10543, Taiwan
Tel: +886-2-8175-9600, Fax: +886 2-8175-9670

Renesas Electronics Singapore Pte. Ltd.

80 Bendemeer Road, Unit #06-02 Hyflux Innovation Centre, Singapore 339949
Tel: +65-6213-0200, Fax: +65-6213-0300

Renesas Electronics Malaysia Sdn.Bhd.

Unit 1207, Block B, Menara Amcorp, Amcorp Trade Centre, No. 18, Jln Persiaran Barat, 46050 Petaling Jaya, Selangor Darul Ehsan, Malaysia
Tel: +60-3-7955-9390, Fax: +60-3-7955-9510

Renesas Electronics India Pvt. Ltd.

No.777C, 100 Feet Road, HAL 2nd Stage, Indiranagar, Bangalore 560 038, India
Tel: +91-80-67208700, Fax: +91-80-67208777

Renesas Electronics Korea Co., Ltd.

17F, KAMCO Yangjae Tower, 262, Gangnam-daero, Gangnam-gu, Seoul, 06265 Korea
Tel: +82-2-558-3737, Fax: +82-2-558-5338