

PRODUCT SCOUT AUTOMOTIVE



POWER SUPPLY PRODUCTS

EDITION DECEMBER 2020

Power Management ICs (PMIC)

Product Name	Function	Input Voltage [V]	Linear Output	Digital Output Pins	Can Sample	Switching Regulators	Switching Frequency [MHz]	LDOs	GPIOs [I/O]	Comm. Interface	Temp. Range	Package
RAA27000	PMIC for Automotive RH850 E1x, C1x MCUs	6.3 - 18.5	yes	MUXOUT, FSOUT, EXCNT, (INTOUT, RSTB)	yes	Buck/Buck	2.1/2.1	4LDOs, 2Trackers	0	SPI	-40 to +125	64pin HTQFP 12 x 12mm
RAA27005	PMIC for Automotive RH850 P1x MCUs	2.2 - 18.5	yes	MUXOUT, EXCNT1, EXCNT2, (INTOUT, RSTB)	yes	Boost/Buck	0.42/2.1	2LDOs, 2Tracker	0	SPI	-40 to +125	40pin HLQFP 9 x 9mm

Camera PMIC

Product Name	Function	Input Voltage	# of Outputs	LDO	DCDC	Switching Frequency	Temp. Range	Package
ISL78083	PMIC for satellite cameras with power good pins	4.5 - 42V	4	300 mA	3 x 750 mA	2.2 MHz	-40 to +125°C	24 Ld SCQFN

Multiphase Synchronous Controllers

Product Name	Function	Topology	Input Voltage	# of Outputs	# of Phases	Output Voltage	Bias Voltage	Digital Interface	Temp. Range	Package
ISL78224	48/12V bidirectional DCDC	buck and boost	65V / 45V	1	4	48V / 12V	5V	I2C/PMBus	-40 to +125°C	64 Ld TQFP
ISL78226	48/12V bidirectional DCDC	buck and boost	65V / 45V	1	6	48V / 12V	5V	I2C/PMBus	-40 to +125°C	65 Ld TQFP
ISL78225	multiphase DCDC controller	buck or boost	45V	1	4	ext. FET driver	5V	no	-40 to +125°C	44 Ld TQFP
ISL78220	multiphase DCDC controller	buck or boost	45V	1	6	ext. FET driver	5V	no	-40 to +125°C	44 Ld TQFP
ISL78227	multiphase Boost w. integrated drivers	boost	60V	1	2	55V	5V	no	-40 to +125°C	32 Ld WFOFN
ISL78229	multiphase Boost w. integrated drivers	boost	60V	1	2	55V	5V	I2C/PMBus	-40 to +125°C	40 Ld WFOFN

Laser Driver

Product Name	Function	Supply Voltage	Rise/Fall Time	# of Channels	Pixel Frequency	Output Current	Digital Interfaces	Temp. Range	Package
ISL78365	quad channel laser driver for HUD w. speckle reduction	3.3V	1.5 ns	4	150 MHz	750 mA	10 Bit video interface and SPI	-40 to +125°C	40 Ld WFOFN

DISCRETE POWER PRODUCTS

PowerMOSFET

Series	Part Number	V _{DS} [V]	R _{DS(on)} max [mΩ]		I _{DMOS} [A]	PT @ Tc = 25 °C [W]	R _{th(j-c)} [°C/W]	Q _g typ. [nC]	C _{iss} typ. [pF]	Package
			V _{GS} = 10.0 V	V _{GS} = 4.5 V *V _{GS} = 4.0 V						
N-Channel	ANL3	RBA250N04HPF-4UA01	0.85	-	250	348	0.43	245	12900	TO-263-7p-SHL
		RBA160N04HPF-4UA01	1.25	-	160	250	0.60	157	8800	TO-263-7p-SHL
		NP180N04TUK	1.05	-	180	348	0.43	198	10500	TO-263-7p
		NP179N04TUK	1.25	-	180	288	0.52	160	8900	TO-263-7p
		NP110N04PUK	1.4	-	110	348	0.43	198	10500	TO-263-7p
		NP109N04PUK	1.75	-	110	250	0.60	126	7200	TO-263-7p
		NP100N04PUK	2.3	-	100	176	0.85	80	4700	TO-263-7p
		NP90N04VUK	2.8	-	90	147	1.02	68	3900	TO-252-2P
		NP90N04VDK	2.8	6.0	90	147	1.02	68	3900	TO-252-2P
		NP90N04VLK	2.8	6.0	90	147	1.02	68	3800	TO-252-2P
		NP89N04PDK	2.95	6.2	90	147	1.02	68	3900	TO-263-2P
		NP89N04PLK	2.95	-	90	147	1.02	68	3900	TO-263-2P
		NP75N04YUK	3.3	-	75	138	1.09	58	3400	HSO8-8
		NP60N04VUK	3.85	-	60	105	1.43	42	2450	HSO8-8
		NP60N04VDK	3.85	8.6	60	105	1.43	42	2450	TO-252-2P
		NP60N04VLK	3.90	8.6	60	105	1.43	42	2450	TO-252-2P
		NP50N04YUK	4.8	-	50	97	1.55	38	2100	HSO8-8
		NP75N04VUK	5.7	-	75	75	2.00	30	1630	TO-252-2P
	NP75N04VDK	5.7	12.6	75	75	2.00	27	1630	TO-252-2P	
	NP30N04QUK	8.0	-	30	59	2.54	27	1600	HSO8-8 Dual	
	NP29N04QUK	10.1	-	30	44	3.37	19	1000	HSO8-8 Dual	
	ANL2	NP180N05STUK	1.4	-	180	348	0.43	196	10700	TO-263-7p
		NP179N05STUK	1.75	-	180	288	0.52	160	9300	TO-263-7p
		NP110N05SPUK	1.75	-	110	348	0.43	196	10700	TO-263-7p
		NP160N05STUK	2.1	-	160	250	0.60	126	7500	TO-263-7p
		NP109N05SPUK	2.2	-	110	250	0.60	126	7500	TO-263-7p
		NP100N05SPUK	3.25	-	100	176	0.85	80	4900	TO-263-7p
		NP90N05SVUK	3.85	-	90	147	1.02	68	4000	TO-252-2P
		NP89N05SPUK	4.0	-	90	147	1.02	68	4000	TO-263-2P
		NP75N05SYUK	4.5	-	75	138	1.09	55	3500	HSO8-8
		NP60N05SVUK	5.5	-	60	105	1.43	42	2500	TO-252-2P
		NP35N05SYUK	6.7	-	35	97	1.55	38	2240	HSO8-8
		NP90N06VDK	5.3	8.2	90	147	1.02	63	4000	TO-252-2P
		NP90N06VLK	5.3	8.2	90	147	1.02	63	4000	TO-252-2P
		NP89N06PDK	5.3	8.2	90	147	1.02	63	4000	TO-263-2P
		NP60N06VDK	7.9	12.0	60	105	1.43	37	2400	TO-252-2P
NP60N06VLK		7.9	12.0	60	105	1.43	37	2400	TO-252-2P	
NP45N06PUK		9.6	-	45	75	2.00	30	1690	TO-263-2P	
NP45N06VUK		9.6	-	45	75	2.00	30	1690	TO-252-2P	
NP45N06VDK	11.6	19.6	45	75	2.00	25	1530	TO-252-2P		
NP30N06GDK	14.0	21.0	30	59	2.54	25	1500	HSO8-8 Dual		
NP29N06GDK	20.0	30.0	30	44	3.37	16	1000	HSO8-8 Dual		
NP29N06DUK	21.0	-	30	44	3.37	20	1000	HSO8-8 Dual		
NP16N06YLL	35	55	16	27.3	5.49	12	400	HSO8-8		
NP16N06GLK	39.0	60.0	16	25	5.95	11	500	HSO8-8 Dual		
ANM2	RBA250N10CHPF-4UA02	100	2.4	-	250	348	0.43	190	9500	TO-263-7p SHL
	NP50P03YDG	-30.0	8.4	-	-50	102	1.47	64	2300	HSO8-8
	NP75P03YDG	-30.0	6.2	-	-75	138	1.09	94	3200	HSO8-8
	NP15P04SLG	-40.0	40.0	60.0*	-15	30	5	23	1100	TO-252-2K
	NP20P04SLG	-40.0	25.0	38.0*	-20	38	3.95	34	1650	TO-252-2K
	NP38P04SDG	-40.0	17.0	23.5*	-36	56	2.68	55	2800	TO-252-2K
	NP38P04KDG	-40.0	17.0	23.5*	-36	56	2.68	55	2800	TO-263-2K
	NP50P04SLG	-40.0	9.6	15.0*	-50	84	1.79	100	3800	TO-252-2K
	NP50P04SDG	-40.0	9.6	15.0*	-50	84	1.79	100	5000	TO-252-2K
	NP50P04KDG	-40.0	9.6	15.0*	-50	84	1.67	100	5100	TO-263-2K
	NP75P04YLG	-40.0	9.7	-	-75	138	1.09	91	3200	HSO8-8
	NP83P04PDG	-40.0	5.3	8.0*	-83	150	1	200	9820	TO-263-2P
	NP100P04PDG	-40.0	3.5	5.1*	-100	200	0.75	320	15100	TO-263-2P
	NP100P04PLG	-40.0	3.7	5.1*	-100	200	0.75	320	15100	TO-263-2P
	NP15P05SLG	-60.0	70.0	95.0*	-15	30	5	23	1100	TO-252-2K
	NP20P05YLG	-60.0	47.0	70.0*	-20	57	2.63	34	1605	HSO8-8
	NP20P05SLG	-60.0	48.0	64.0*	-20	38	3.95	34	1650	TO-252-2K
	NP38P05KDG	-60.0	29.5	37.5*	-36	56	2.68	54	3100	TO-263-2K
NP38P05SLG	-60.0	30.0	40.0*	-36	56	2.68	52	3200	TO-252-2K	
NP50P05SDG	-60.0	16.5	23.0*	-50	84	1.79	100	5000	TO-252-2K	
NP50P05KDG	-60.0	17.0	23.0*	-50	84	1.67	95	5000	TO-263-2K	
NP83P05PDG	-60.0	8.8	12.0*	-83	150	1	190	10100	TO-263-2P	
NP100P05PLG	-60.0	6.0	7.8*	-100	200	0.75	300	15000	TO-263-2P	
NP100P06PDG	-60.0	6.0	7.8*	-100	200	0.75	300	15000	TO-263-2P	

Protected and Intelligent Power Devices (IPD)

- Enhance Safety and Robustness of the application
- Designing Intelligence into Automotive Switches

Family Name	Product Name	Package	Channels	Channel Type	Supply Voltage [V]	R _{DS(on)} [mΩ]	Current Sense	Sense Ratio Typ.	Diagnostic	Overtemperature Protection	Overcurrent / Overload Protection	Control
2nd Gen IPD	μPD166033	TO-252-7p	1	N-ch	4.5 - 28.0	6	Yes	12500	Yes	Autorestart on cooling	Shutdown and Latch / Power Dissipation Control	Voltage
	8					9400						
	10					7500						
	12					6250						
3rd Gen IPD	RAJ2800024H1H1HPF	TO-263-7p	1	N-ch	4.5 - 28.0	1.6	Yes	70000	Yes	Shutdown and Latch	Shutdown and Latch / Power Dissipation Control	Current
	RAJ2800024H12HPF					Voltage						
	RAJ2800034H12HPF					Voltage						
	RAJ2800044H12HPF					Voltage						

Notes: All devices are qualified according to AEC-Q100 and AEC-Q100-012 flow. All devices are RoHS compliant.

MOTOR DRIVER (GDU)

Product Name	Function	# of channels	Insulation Voltage [V _{rms}]	Common Mode Transient Immunity [kV/μs]	Supply Voltage (Primary Side) [V]	Supply Voltage (Secondary Side) [V]	Operation Current (Primary Side, Max) [mA]	Operation Current (Secondary Side, Max) [mA]	Predictive Output Resistance (HI Side) [ohm]	Predictive Output Resistance (Lo Side) [ohm]	PWM Frequency [kHz]	Minimum Input Pulse Width [ns]	Active Mirror Clamp	Soft Turn Off	Under Voltage Lock Out	Over Current Detection / Short Circuit Detection	IGBT Temperature Sensor	Operation Temperature (deg C)	Package
RZA25110	IGBT gate driver	1 (support IGBT parallel connection)	2500 (1min)	35 (min)	4.5 - 5.5	12.5 - 21.5	6 (max)	12 (max)	1	1	100 (max)	20 (typ)	yes (1 ohm max)	yes (8.5V _{OH} max)	Yes (VCC1, VCC2, VREG)	yes/yes	Yes (PWM)	-40 - 125	SSOP48

Product Name	Function	Max Bootstrap Supply Voltage [V]	V _{DS} (max) [V]	Peak Pull-up Current [A]	Peak Pull-down Current [A]	Turn-on Prop Delay [ns]	Turn-off Prop Delay [ns]	Rise Time [ns]	Outputs	Inputs	Adaptive Dead Time Control	Charge Pump	Package
ISL78424	Half-Bridge Driver	100	18	3	4	45	45	10	separate source and sink pins	Tri-Level PWM	Yes	No	14 Ld HTSSOP
ISL78434	Half-Bridge Driver	100	18	3	4	45	45	10	separate source and sink pins	independent HI/LI inputs	Yes	No	14 Ld HTSSOP
ISL78444	Half-Bridge Driver	100	18	3	4	45	45	10	combined sink/source pin	Tri-Level PWM	Yes	No	14 Ld HTSSOP

AUTOMOTIVE SENSOR SOLUTIONS

Sensor Signal Conditioning (SSC)

Product	Delivery Options	Optimized for	Interface Options (Analog / Digital) DAC Resolution	Maximum Sensor Offset Compensation	Adjustable Gain Values	ADC [BR]	Sample Rate [kHz]	Supply Voltage [V]	Supply Current [mA]	HTOL [h]	Temp. Sources	Maximum Calibration Points	Calibration DLL	Diagnostic / Features / Additional Functions											
														SSC / SSC	ROM Check	EEPROM Check	Temp. Output	BIST Digital	BIST AFE	BIST Voltages	CMV	User Data	Broken Chip Chk	Memory Lock	
ZSSC138	SSOP14 (6.2x5.3) bare die	Piezo-resistive Metal thin-film Strain-gauge Magneto-resistive Non laser trimmed ceramic membrane	Ratiometric Voltage (12.4 Bit DAC)	3000%	3 to 420	13 to 16	< 7.8	4.5 to 5.5	5.5	1000	Internal	4P + 3T	RBIC1.dll	BR	X	-	X	-	-	-	-	-			

Ambient Light Sensors (ALS)

Product Name	Function	Peak Spectral Sensitivity	Supply Voltage	Supply Current @ EV=100lx	Lux Range	Package Type	Temp. Range
ISL76671	analog output ambient light sensor	550 nm	1.8V to 3.3V	23 µA	0.01 to 100 lx	6 ld ODFN	-40 to 105 °C
ISL76683	digital output ambient light sensor with I ² C and interrupt	540 nm	2.25 to 3.3 V	290µA	0.01 to 64000 lx	7 ld ODFN	-40 to 105 °C

Battery Management ICs (BMIC)

Product Name	Function	# Series Cells	Comm. Interface	Implementation	Cell Balancing	Peak Voltage [V]	Absolute Cell Voltage Measurement Accuracy	Integrated Charge/Discharge FET Drive	Integrated Current Sense Detection	Integrated Temperature Sense	I _s (max)	SHDN I _{cc}	Integrated Regulator Output/Reference Output	Special Features	Package
ISL78714	Battery Management	up to 14 cells	SPI and Proprietary Asynchronous	Pack	External (Built-In FET Drivers) or Internal	up to 70V per device	±2.0mV Max (-20 to 85 °C)	no	no	yes	I _{typ} 5.5mA	(typ) 19 uA	3.3V / 2.5V	*Daisy Chain up to 30 devices (420 Cells) *Robust Hot Plug Performance *Provides Diagnostic Information *Fast Scan Rate of 20µs/cell	64Ld TQFP (10x10mm)
ISL78600	Battery Management	up to 12 cells	SPI and Proprietary Asynchronous	Pack	External (Built-In FET Drivers) or Internal	up to 63V per device	±10mV Max (-20 to 60 °C)	no	no	yes	I _{typ} 5.6mA	(typ) 15 uA	3.3V / 2.5V	*Daisy Chain up to 14 devices (168 Cells) *Robust Hot Plug Performance *Provides Diagnostic Information *Fast Scan Rate of 20µs/cell	64Ld TQFP (10x10mm)
ISL78610	Battery Management	up to 12 cells	SPI and Proprietary Asynchronous	Pack	External (Built-In FET Drivers) or Internal	up to 63V per device	±2.0mV Max (-20 to 60 °C)	no	no	yes	I _{typ} 5.6mA	(typ) 15 uA	3.3V / 2.5V	*Daisy Chain up to 14 devices (168 Cells) *Robust Hot Plug Performance *Provides Diagnostic Information *Fast Scan Rate of 20µs/cell	64Ld TQFP (10x10mm)

WIRELESS POWER PRODUCTS

Product Name	Function	Coils	Wireless Power Standard	Input Voltage [V]	Output Voltage [V]	Output Power max [W]	Package	Temperature Range
P9260	Wireless Power Transmitter	MPA13 - 1 coils	WPC Qi 1.2.4	4.25V to 21V	NA	15	48 pin VFQFPN 7 x 7mm	-40 to +105
P9261	Wireless Power Transmitter	MPA13 - 3 coils	WPC Qi 1.2.4	4.25V to 21V	NA	15	48 pin VFQFPN 7 x 7mm	-40 to +105

CLOCKS & TIMING SOLUTIONS

Product Name	Function	Outputs [#]	Output Type	Output Freq [MHz]	Input Freq [MHz]	Inputs [#]	Input Type	Core Voltage [V]	Output Voltage [V]	Output Banks [p]	Phase Jitter Typ RMS (ps)*1	C-C Jitter Type P-P (ps)	C-C Jitter Max P-P (ps)	Package Type	Temp. Range [°C]
5P35021	Programmable VersaClock® Clock Generator	2 pairs + 1	LP-HCSL, LVCMOS, LVDS, LVPECL	1 - 500 + 32.768 kHz	8 - 40 (Crystal) 1 - 125 (Clock)	1	Crystal, LP-HCSL, LVCMOS, LVDS, LVPECL	3.3	1.8, 2.5, 3.3	3	1.5	20	-	3x3 mm 20 QFN	-40 to 105
5P35023	Programmable VersaClock® Clock Generator	2 pairs + 3	LP-HCSL, LVCMOS, LVDS, LVPECL	1 - 500 + 32.768 kHz	8 - 40 (Crystal) 1 - 125 (Clock)	1	Crystal, LP-HCSL, LVCMOS, LVDS, LVPECL	3.3	1.8, 2.5, 3.3	5	1.5	20	-	4x4 mm 24 QFN Wettable	-40 to 105
5P49V60	VersaClock® EE Programmable Clock Generator for Automotive	4 pairs + 1	HCSL, LVCMOS, LVDS, LVPECL	1 - 350	8 - 40 (Crystal) 1 - 350 (Clock)	2	Crystal, HCSL, LVCMOS, LVDS, LVPECL	1.8, 2.5, 3.3	1.8, 2.5, 3.3	4	0.5	25	35	4x4 mm 24 QFN Wettable	-40 to 105
5PB1104	1.8 V to 3.3 V 1:1 LVCMOS High Performance Clock Buffer	4	LVCMOS	0 - 200	0-200	1	LVCMOS	1.8, 2.5, 3.3	1.8, 2.5, 3.3	1	35fs (additive)	-	-	8 DFN Wettable	-40 to 125
5PB1110	1.8 V to 3.3 V 1:10 LVCMOS High Performance Clock Buffer	10	LVCMOS	0 - 200	0-200	1	LVCMOS	1.8, 2.5, 3.3	1.8, 2.5, 3.3	1	35fs (additive)	-	-	20 DFN Wettable	-40 to 105
9FGV0841	8-output 1.8 V PCIe Gen1-4 Clock Generator with Zo=100 ohms	8	LP-HCSL	100	25	1	Crystal	1.8	1.05V - 1.8V	1	0.37 (PCIe Gen4)	14	50	6x6 mm 48 QFN Wettable	-40 to 105
XA	Oscillator	1	HCMOS, LVDS, LVPECL	0.75 - 1350	-	-	-	2.5, 3.3	2.5, 3.3	1	1	-	-	-	-40 to 105

Note: *1 Integration range 12 kHz - 20 MHz

VIDEO & DISPLAY CONTROLLER

Video Signal Processing (VSP)

Product Name	Function	CVBS Input	S-Video Input	YPbPr Input	Analog RGB Input	ADC Input Frequency (MHz)	Digital RGB/Y Ch/Cl Input	LVDS Input	Comb Filter	Max Output Resolution	Color Enhancement	PIP	OSD Type	External OSD	OSD Colors	TCON Output	LVDS Output	TTL Output	Memory Support	MCU	Additional Output	Touch-screen Controller	Temperature Range	Package Type
TW8809	RGB to BT656 format converter	Yes (differential)	No	No	No	27	24-bit	No	2D	SVGA	Yes	No	Font	No	16 Colors / 16-bit Palette	No	No	No	No	External	BT.656	No	-40 to +105	56pin-WFOFN
TW8819	LCD Display Controllers	Yes (differential)	No	No	No	27	No	No	2D	WXGA	Yes	No	Font	No	16 Colors / 16-bit Palette	Digital	No	Yes	No	External	No	No	-40 to +105	48pin-WFOFN
TW8823	LCD Display Controllers	Yes	Yes	Yes	Yes	108	2 Ports	No	3D / 2D	WXGA	Yes	Yes	Graphic (16 bit)	Analog/Digital 18-bit & PIP overlay	65K Color/ 24-bit Palette	Digital & Analog	Yes	Yes	DDR	Integrated	No	Yes	-40 to +85	216pin-LQFP
TW8824	LCD Display Controllers	Yes (differential)	No	No	No	27	24-bit	No	2D	WXGA	Yes	No	Font	No	16 Colors / 16-bit Palette	Digital	Yes	Yes	No	External	BT.656	No	-40 to +105	100pin-TQFP
TW8832S	LCD Display Controllers	Yes	Yes	Yes	Yes	60	BT656 Only	No	2D	SVGA	No	No	Font / SPI bitmap	No	16 Colors / 16-bit Palette	Digital	No	Yes	No	External	BT.656	No	-40 to +85	80pin-LQFP
TW8834	LCD Display Controllers	Yes (differential)	No	No	No	27	24-bit	Yes	2D	WXGA	Yes	No	Font	No	16 Colors / 16-bit Palette	Digital	Yes	Yes	No	External	BT.656	No	-40 to +105	100pin-TQFP
TW8836	LCD Display Controllers	Yes (differential)	Yes	Yes	Yes	148	24-bit	Yes	2D	WXGA (1366x768)	Yes	No	Font / SPI bitmap	No	16 Colors / 16-bit Palette	Digital	Yes	Yes	No	Integrated	BT.656	Yes	-40 to +105	128pin-LQFP
TW8846	LCD Display Controllers	Yes (differential)	No	No	No	27	2 x 24-bit (up to 1080p)	Yes (ZCH)	2D	1080p (1920x1080)	Yes	No	Font / SPI bitmap	No	16 Colors / 16-bit Palette	Digital	Yes (ZCH)	Yes	No	External	MIPI-CSI2	No	-40 to +105	156pin-LQFP
TW8847	LCD Display Controllers	Yes (differential)	No	No	No	27	2 x 24-bit (up to 1080p)	Yes (ZCH)	2D	1080p (1920x1080)	Yes	No	Font / SPI bitmap	No	16 Colors / 16-bit Palette	Digital	Yes (ZCH)	Yes	No	External	BT.656	No	-40 to +105	156pin-LQFP
RAA278842	LCD Display Controllers	Yes (differential)	No	No	No	27	24-bit + 8 bit	Yes (ZCH)	2D	1080p (1920x1080)	Yes (10 bit/color)	No	Font / SPI bitmap	No	16 Colors / 16-bit Palette	No	Yes (ZCH)	No	No	External	MIPI-CSI2	No	-40 to +105	128pin-LQFP
RAA278843	LCD Display Controllers	Yes (differential)	No	No	No	27	24-bit + 8 bit	Yes (ZCH)	2D	1080p (1920x1080)	Yes (10 bit/color)	No	Font / SPI bitmap	No	16 Colors / 16-bit Palette	No	Yes (ZCH)	No	No	External	BT.656	No	-40 to +105	128pin-LQFP

Video Decoder

Product Name	Function	# of Inputs	# of Channels/Device	Resolution	Comb Filter	Bus/Output Interface	Analog Output	Temperature Range	Package Type
TW9990	Video Decoder	4	1	D1	2D	BT.656, BT601	No	-40 to +105	32pin-WFOFN
TW9992	Video Decoder	8	1	D1	2D	MIPI-CSI2 v1.1	No	-40 to +105	32pin-WFOFN
ISL79987	Video Decoder	8	4	D1	2D	MIPI-CSI2 v1.1	No	-40 to +105	48pin-QFN
ISL79988	Video Decoder	8	4	D1	2D	BT.656	No	-40 to +105	48pin-QFN

Laser Driver

Product Name	Function	Supply Voltage	Rise/Fall Time	# of Channels	Pixel Frequency	Output Current	Digital Interfaces	Temp. Range	Package
ISL78365	quad channel laser driver for HUD w. speckle reduction	3.3V	1.5 ns	4	150 MHz	750 mA	10 Bit video interface and SPI	-40 to +125°C	40 Ld WFOFN

OPTOCOUPLER

High-Speed Communication (Digital)

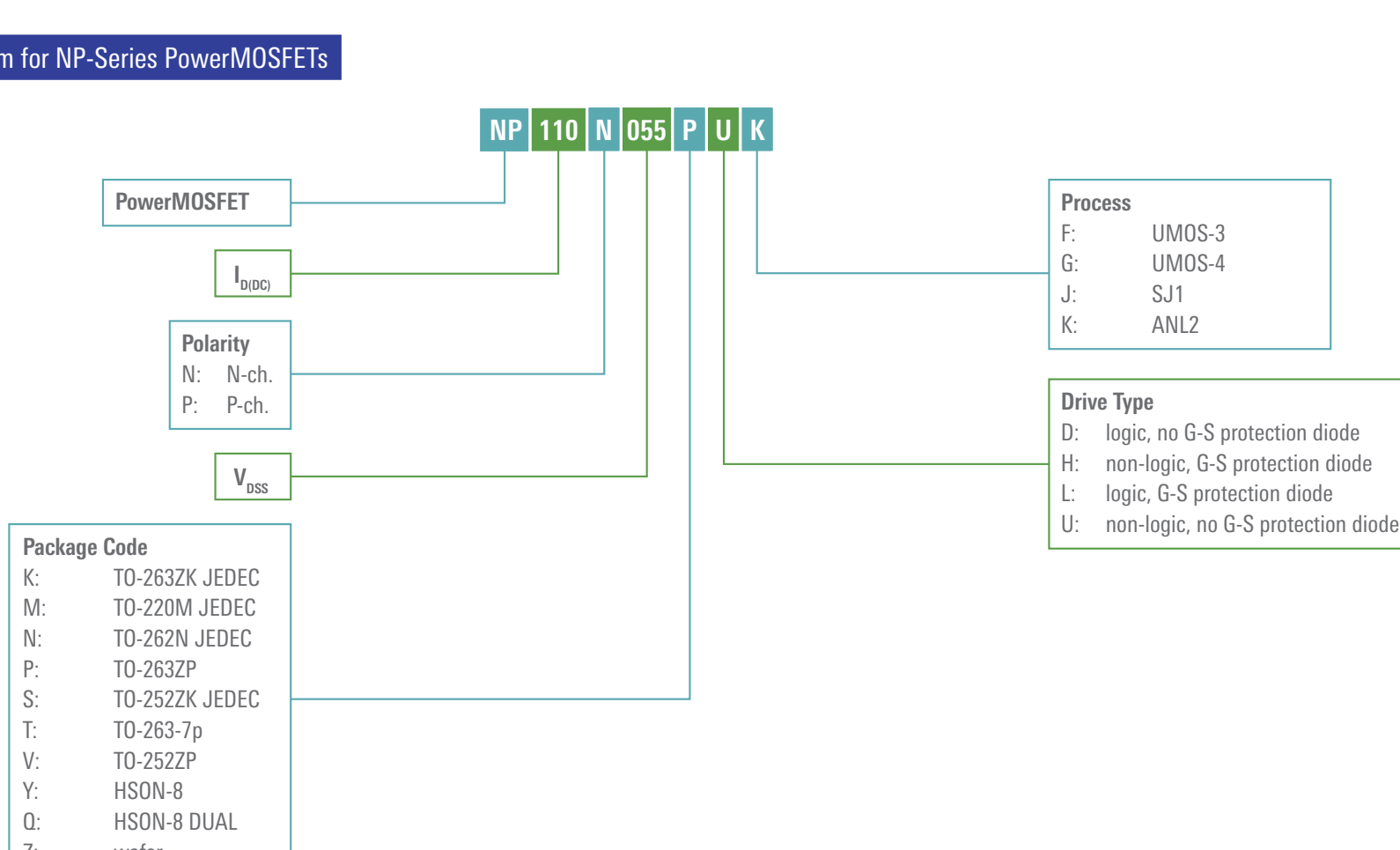
Product Name	Function	Package	Creepage Distance (mm)	Isolation Voltage [kVrms]	Supply Voltage [V]	Temp. Range [°C]	Threshold Input Current I _{FHL} Max [mA]	Propagation Delay Time t _{PHL} /t _{PH} max [ns]	Pulse Width Distortion PWD max [ns]	Common Mode Rejection CMR min [kV/us]	Output Type	Logic
RV1S9184Q	1Mbps High speed optocoupler	SO-5	4.2	3.75	4.5 to 20	-40 to 135	3.5	700	500	15	Open Collector	Active Low

Transistor Output

Product Name	Function	Package	Creepage Distance (mm)	Isolation Voltage [kVrms]	Collector to Emitter Voltage V _{CEO} [V]	Temp. Range [°C]	Current Transfer Ratio CTR [%]	Turn-on Time Ton Max [µs]	Turn-off Time Toff Max [µs]
RV1S2752Q	Single transistor output optocoupler	SO-4	4.2	3.75	40	-40 to 135	200 to 850	100	300

GENERAL INFORMATION

Part numbering system for NP-Series PowerMOSFETs



Download this Product Scout at <https://www.renesas.com/eu/en/document/bro/product-scout-automotive-0>



Download this document at <https://www.renesas.com/eu/en/document/bro/product-scout-automotive-0>