

**Description**

This application note goes through the thought processes of how to convert a fixed PWM single output into a 0.7V to 1.3V adjustable output regulator. Even though the EL7554 is used as an example, this application note is applicable to any PWM using a similar voltage feedback control.

Key feature of the PWM that allows us to design such a circuit is the feed-back loop technique. The results of the voltage feed-back will cause the PWM to drive the output voltage in an attempt to maintain 0.8V at its feedback pin (FB). The typical feedback network is a simple resistive voltage divider to ground. Thus, the feedback voltage has a linear relationship to the output voltage. That is, the voltage at the FB pin will be 0.8V when the output voltage is at the desired voltage level and the PWM will adjust the output up or down linearly, to maintain 0.8V on the FB pin.

I have selected the EL7554 integrated FET PWM as a good example to use in designing such a circuit.

Data sheet can be downloaded at:  
<http://www.intersil.com/data/fn/fn7360.pdf>

**Main Concept**

You can adjust the divider to supply 0.8V at the feed-back pin for a different  $V_{OUT}$ . To convert the output to an adjustable PWM would be a simple implementation of a trim pot. This technique works well as long as the  $V_{OUT}$  is above 0.8V. Thus, for the upper limit of this design, 1.3V for  $V_{OUT}$  is simple; just divide 1.3V down to 0.8V for the FB pin.

Yet, how can we use a simple divider to ground for the lower output limit of 0.7V? Obviously you cannot, as the output is already below the desired 0.8V feedback level. Thus, we have two cases to address. Let's start with the more difficult case of programming the EL7554 for a 0.7V  $V_{OUT}$ . Then, we will address the simpler implementation of the 1.3V upper limit.

**Overcoming a Limitation with  $V_{OUT} = 0.7V$**

Since you cannot divide down 0.7V output to reach the 0.8V FB pin requirement, then you must consider dividing up the 0.7V to reach the 0.8V. You will need to find a voltage greater than 0.8V to use in the divider network.  $V_{CC}$  input of the EL7554 is 3.3V. Thus, connecting the end of the resistor divider string to  $V_{CC}$ , you can reach 0.8V when the output is at 0.7V. See Figure 1. For a concept of the circuitry see Figure 1.

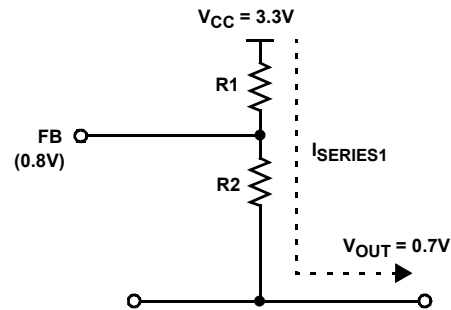


FIGURE 1.

You need to consider the noise and variations with  $V_{CC}$  to reduce this impact on the feedback sense circuit. A simple solution to reduce variations in  $V_{CC}$  is having a local large bypass cap at the  $V_{CC}$  pin. Using a 0.1 $\mu$ F or 0.01 $\mu$ F cap in parallel with the large  $V_{CC}$  decoupling capacitor (4.7 $\mu$ F) will help to reduce any high frequency noise and buffer  $V_{CC}$  variations. Ceramic capacitors are preferred for their low ESR and thus, higher current supply.

**Designing the Circuit for Just  $V_{OUT} = 0.7V$**

How much current is too much or too little for a stable divider voltage at the FB pin? Reducing the current requirement on the local bypass cap will improve the local  $V_{CC}$  stability. The trade off is between divider current,  $I_{SERIES1}$ , vs the FB pin input current,  $I_{FB}$  vs noise induced by large resistor values.

**Determining the Initial  $V_{FB}$  Series Divider Values**

A simple rule of thumb will help determine a reasonable voltage divider current for the feedback voltage. You will need to reduce the effects of the FB pin current variations from impacting the  $I_{SERIES1}$  and thus, helping to stabilize the voltage at the FB pin. The rule of thumb is to have the  $I_{SERIES1}$  10 to 100 times that of  $I_{FB}$  current.  $I_{FB}$  is spec'd at 100nA typical and 200nA max. So, using the rule of thumb 2 $\mu$ A might be a good selection for  $I_{SERIES1}$ . Yet, dropping 3.3V to 0.8V with a 2 $\mu$ A series current would result in a resistor value of 1.24M $\Omega$  resistor. Any small variations in the  $I_{SERIES1}$  or environmental noise could induce variations in the FB voltage. Sharp edge digital signals or switching transients can induce a reasonably large voltage across this high impedance. A 1M $\Omega$  resistor could also induce noise in the feedback loop so values in this range should be avoided.

Thus, you need to have the  $I_{SERIES1}$  large enough to keep the values of R1 and R2 (see Figure 1) small enough to limit the induce noise and improve stability of  $V_{FB}$ . You do not want the series current so great that it will load down  $V_{CC}$ . Remember, using a large by pass cap connected to the top of R1 will act as a supply stabilizer and you do not want too much current to be drawn by the divider from the by pass cap to induce large variations on the  $V_{FB}$  pin.

After all is said and done, looking at the current specification for the  $V_{FB}$  pin, I selected  $I_{SERIES1} = 100\mu A$  for the divider series current as a good trade off. Thus,  $R2$  is the  $0.8V$  minus the output voltage, divided by the  $I_{SERIES1}$  and for an output of  $0.7V$ ,  $R2$  will be:

$$R2 = (V_{FB} - V_{OUT}) / I_{SERIES1} \text{ or } (0.8V - 0.7V) / 100\mu A = 0.1V / 100\mu A = 1k\Omega$$

$R1$  is simpler:

$$R1 = (V_{CC} - V_{FB}) / 100\mu A \text{ or } (3.3V - 0.8V) / 100\mu A = 2.5V / 100\mu A = 25k\Omega$$

### Designing the Circuit for Just $V_{OUT} = 1.3V$

Since  $V_{OUT}$  is greater than  $V_{FB}$ , this is simply a voltage divider at the output to ground. Again keeping the current,  $I_{SERIES2}$  (see Figure 2), in the voltage divider such that it does not load the output. The max output current is  $4A$  and using the 10:1 rule of thumb, you can use anything under  $400mA$ . An additional constraint is to keep the heat dissipation of the resistors low and thus, the size and cost of the resistors small.

The calculations for the series resistors would be the same as before but at what series current? Keeping in mind the final solution will need to support the full range down to  $0.7$ . Again, back to the rule of thumb, you should keep the current  $10x$  that of the  $0.7V$   $I_{SERIES2}$  or  $1mA$ . This will reduce the influence of the  $0.7V$   $I_{SERIES1}$  on the final bias point of the series resistors. There will be more on this later when discussing the complete solution for the adjustable EL7554  $V_{OUT}$   $0.7V$  to  $1.3V$ .

Applying the rule of thumb,  $I_{SERIES1} = 100\mu A$  in the  $0.7V$  bias network, thus  $I_{SERIES2}$  would be  $1mA$  in the  $1.3V$  bias network. The computation would be:

$$R3 = (1.3V - 0.8V) / 1mA \text{ or } 0.5 / 1mA \text{ or } 500\Omega$$

$$R4 = (0.8V) / 1mA \text{ or } 800\Omega$$

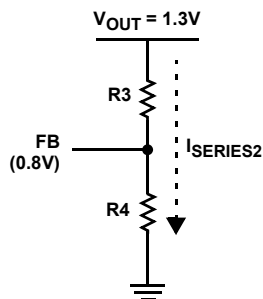


FIGURE 2.

### Computing the Final Design

Up to now we have not considered the total solution, just the  $1.3V$  and  $0.7V$  limits separately. Using this approach, we have two basic circuits but now we need to refine the solution to encompass the total system requirements.

Lets discuss the basic architecture, then we can refine the above two designs into one single design that would meet the full span,  $V_{OUT} = 0.7V$  to  $1.3V$ .

### Key Point

The output range is a voltage above and below  $V_{FB}$  of  $0.8V$ . Yet, the EL7554 will control the internal FETs to maintain the  $0.8V$  on  $FB$  pin. So, our final design must support  $V_{OUT}$  above and below  $0.8V$  on the  $FB$  pin.

### Let's Start with the Main Problem, $V_{OUT} = 0.7V$

What if you tied the bottom of  $R2$ , not to  $V_{OUT}$ , but to some lesser voltage than  $V_{OUT}$ , such that when  $V_{OUT}$  desired is  $1.3V$ , you have  $V_{FB} = 0.8V$ . You will might a solution that would cover the range of  $0.7V$  to  $1.3V$ .

The simple way of insuring the feedback voltage is in relationship to  $V_{OUT}$  and in the range of  $V_{FB} = 0.8V$ , is to use a simple divider to ground on the output. The junction point of the two series resistors is the reference point for the feedback circuit and still reflects the output voltage. You can adjust the ratio of this divider to control the sensitivity of the overall feedback circuit to changes in  $V_{OUT}$ . For the sake of simplicity, I will keep it a simple divide by 2 and worry about the sensitivity issue later. The resulting conceptual circuit would be (see Figure 3).

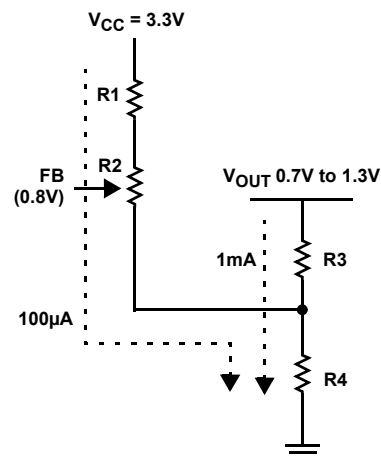


FIGURE 3.

### A First Approximation

We just need to get into the ballpark for the resistor values at this point in the design. The approach is to select the mid operating range and then evaluate the calculations of the resistors for the full range. Then, we will consider the minimum and maximum range to select the proper potentiometer to insure the adjustable range meets the requirements.

If you consider the  $V_{OUT}$  range,  $0.7V$  to  $1.3V$ , the mid range would be  $1V$ . Thus we start with as a first approximation:

$$V_{OUT} = 1V$$

### Determining the Value for $R3$ and $R4$

Back to set the series current for this divider. Remember the  $0.7V$  feedback circuit current was set at  $100\mu A$ . Well, here again we invoke the rule of thumb. You need to isolate the feedback current from influencing the divider node voltage.

Thus, using the 10:1 rule, the divider series current would be 1mA. Since the output nominal voltage is 1V and the series current is 1mA, then the resistor array would be:

$$R3 + R4 = V_{OUT} \text{ norm}/I \text{ series or } 1V/1mA \text{ or } 1k\Omega.$$

To keep it simple we selected to have the divider a simple 2:1 thus, the node would be 500mV, then  $R3 = R4 = 500\Omega$ . Thus, the feedback reference node is set to:

$$V_{NODE} = 0.5V$$

### Final Computations

We need to compute R1 and R2 and then use the upper and lower  $V_{OUT}$  limits to determine the range of the potentiometer we need to use in-place of R2.

Keeping with the output node of 1V, the R3-R4 node voltage would be 0.5V and the feedback current of  $100\mu A$ . You can now compute R1+R2.

$$R1+R2=(V_{CC}-V_{NODE})/100\mu A, (3.3V-0.5V)/100\mu A=2.8V/100\mu A=28k\Omega$$

We need to consider one operational restriction, the  $V_{NODE}$  must be lower than 0.8V when the output is at 1.3V. If we use a simple approach, divide by 2 series resistor array,  $V_{NODE}$  will be at 0.65V when the output is 1.3V and  $V_{NODE}$  would be 0.35V when the output is 0.7V. Thus from  $R3+R4 = 1k\Omega$ :

$$R3 = R4 = 500\Omega$$

At this point we have selected the two branch currents such that the selections result in reasonable resistor values such that the three currents,  $I_{FB}$ ,  $I_{SERIES1}$  and  $I_{SERIES2}$ , do not influence the key nodes. We have computed values for R1 through R4. The next step is to compute the value of the potentiometer needed to meet the range of  $V_{OUT}$ .

Assume the  $V_{OUT}$  to ground divider design is fixed, let's calculate the range of R2 so we can select the potentiometer to meet the design programmable range of 0.7V to 1.3V. Start at the bottom of the R1, R2 series resistors. This node will be  $\frac{1}{2}$  the  $V_{OUT}$  or:

$$V_{OUT} = 0.7V \text{ then } V_{NODE} = 0.35V$$

$$V_{OUT} = 1.3V \text{ then } V_{NODE} = 0.65V$$

Next is to calculate the voltage drops across R2 for each case:

$$\text{With } V_{OUT} = 0.7V \text{ then: } VR2 = 0.8 - 0.35V = 0.45V$$

$$\text{With } V_{OUT} = 1.3V \text{ then: } VR2 = 0.8 - 0.65V = 0.15V$$

Using the series current  $I_{SERIES1} = 100\mu A$ , the range for R2 will be:

$$V_{OUT} = 0.7V \text{ then } R2 = 0.45V/100\mu A = 4.5k\Omega$$

$$V_{OUT} = 1.3V \text{ then } R2 = 0.15V/100\mu A = 1.5k\Omega$$

Thus, a  $5k\Omega$  potentiometer would work well in this design. Yet, to remove the need for manual adjustments, I would recommend you consider using a Digitally Controlled Potentiometer (DCP). So, we need to find a DCP with  $5k\Omega$  wiper to end resistances (a two terminal DCP). Using DCP

selection guide:

[http://www.intersil.com/design/psg/Data\\_Conversion.pdf](http://www.intersil.com/design/psg/Data_Conversion.pdf)

You will find we offer 10k DCPs but no 5k DCPs. Yet, if you use a 10k DCP with enough resolution (number of taps), you can use 5k of the 10k range. Remember, the total series resistance for  $I_{SERIES1}$ , is 28.5k to ground. Also, don't forget the DCP has a series wiper resistance. Wiper resistance is a fixed resistance and may impact the voltage feed back at the  $V_{FB}$  pin. Yet, if we configure the DCP properly, the Wiper resistance will have minimal impact on the voltage setting at the  $V_{FB}$  pin.

Back to the search for a DCP: We need a 10k DCP that will operate at 3.3V and offer a good resolution. The resolution is a function of the end-end resistance and the number of taps (taps). The more taps the better the resolution for each tap and thus, the output voltage programming resolution. One last requirement is for a Non-Volatile DCP which will store the wiper position when power is removed and restore pre-shutdown wiper position at power-up.

### Search Criteria

**Supply** - the same as the PWM or 3.3%  $\pm$ 10%.

**Resolution** - maximum number of tap for best resolution.

**Wiper Resistance** - small value, in the range of the tap resolution.

**Non-Volatile** - to retain programmed position during power-up.

The key search criteria's are  $V_{CC}$  and resolution/number of taps. Using the URL listed before, we come up with the ISL95810 which seems to be a good fit.

**ISL95810:** (URL for the data sheet:

<http://www.intersil.com/data/fn/fn8090.pdf>)

**$V_{CC}$  range** - 2.7V-5.5V

**End to End resistance** - 10k $\Omega$

**Number of taps** - 256 taps

**Wiper resistance** - 70 $\Omega$  (200 $\Omega$  max)

**Non-volatile** - Yes

The ISL95810 tap-to-tap resistance resolution is 10k $\Omega$ /256 taps or about 40 $\Omega$ /tap. Since we only need 5k, the resolution of the DCP setting is 40/5,000 or less than 1%. The DCP end to end resistance is  $\pm$ 20%. We will need to look more closely at the overall DCP resolution in mV/tap later on. For now, the DCP has enough resolution to compensate for other inaccuracies in the circuit.

Here I would like to address the wiper resistance. The typical wiper resistance of ISL95810 is 70 $\Omega$  with maximum of 200 $\Omega$ . If we design the circuit such that the wiper resistance only carries the  $V_{FB}$  current (200nA max) then the worst case voltage drop would be:

$$V_{WIPER} = 200\Omega * 200nA \text{ or } 40\mu V$$

Thus, the wiper resistance will have little, if any, impact on the  $V_{FB}$  pin voltage setting ( $40\mu\text{V}$  on  $800\text{mV}$  is only  $0.005\%$ ). To remove  $R_{WIPER}$  from impacting  $V_{FB}$ , the Wiper cannot carry any of the  $I_{SENSE1}$  current. So, just treat the DCP as a three terminal POT as shown in Figure 4.

Since the total resistance in this leg is  $28\text{k}\Omega$ , we would only have to change  $R1$  to  $18\text{k}\Omega$  and the DCP would make up the other  $10\text{k}\Omega$ . (See Figure 4 for the complete circuit).

The total resistance seen by  $I_{SERIES1}$  does not change due to the wiper setting. Thus  $V_{FB}$  is totally dependent on  $V_{OUT}$ .

### The Final Circuit

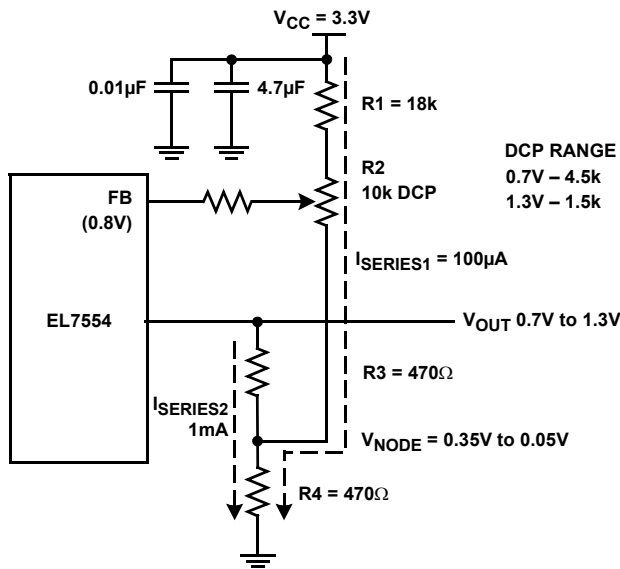


FIGURE 4.

### DCP mV/Tap Resolution

We could look at resolution and accuracy as a percentage but it is more meaningful to look at the DCP in terms of mV/tap then look at the overall accuracy in percent. For sake of discussion, I will first assume all external fixed resistors are  $0.1\%$ . Therefore, the overwhelming inaccuracy is due to the DCP end to end resistance. The resolution of the DCP in voltage divider mode is  $I_{SERIES1} * R2 / 256$ :

$$I_{SERIES1} = V_{CC} / (R1 + R2_{NOM} + R4)$$

So, the Resolution is:

$$3.3V * (R2_{NOM} / ((R1 + R2_{NOM} + R4) * 256)) \text{ or}$$

$$3.3V * (10k / ((18k + 10k + 500) * 256)) = 4.5\text{mV per tap}$$

The  $\pm 20\%$  of total resistance error of the DCP only represents a  $\pm 0.6\text{mV}$  error of wiper voltage setting. To calculate this just substitute for  $R2$  the upper and lower limits based on the  $\pm 20\%$  error:

$$R2 = R2_{NOM} + 20\% = 12\text{k} \text{ and } R2 = R2_{NOM} - 20\% = 8\text{k}$$

$$1) 3.3V * 12k / ((18k + 12k + 0.47k) * 256) = 5.08\text{mV} \sim 5.1\text{mV}$$

$$2) 3.3V * 8k / ((18k + 8k + 0.47k) * 256) = 3.89\text{mV} \sim 3.9\text{mV}$$

The delta is  $5.1\text{mV} - 3.9\text{mV} = 1.2\text{mV}$  thus the error is  $\pm 0.6\text{mV}$ .

### Initial DCP Tap Setting

Computing the initial tap setting for the different output voltages is simple. First, determine the voltage drop across the DCP from the desired wiper position to the bottom of the DCP. Then divide that delta voltage by the mV/Tap.

Voltage drop: We need  $V_{FB} = 0.8\text{V}$ , and is the wiper voltage. The bottom of the DCP, as noted before, would be either:

$$0.35\text{V for } V_{OUT} = 0.7\text{V}$$

$$0.65\text{V for } V_{OUT} = 1.3\text{V}$$

Thus, the correct wiper position for  $0.7\text{V } V_{OUT}$  should be 100 decimal:

$$(0.8\text{V} - 0.35\text{V}) / 4.5\text{mV} = 100 \text{ taps.}$$

For  $1.3\text{V}$  of output voltage, the correct wiper position should be 33 decimal:

$$(0.8\text{V} - 0.65\text{V}) / 4.5\text{mV} = 33 \text{ taps.}$$

**Calibration** - You might consider monitoring the output and adjusting the DCP wiper position to improve the accuracy to within  $4.5\text{mV}$ . A small look-up table can be created for easy adjustment of  $V_{OUT}$  with accuracy less than  $1\%$ .

If you cannot calibrate but do need a few discrete accurate output voltage settings, you can use a series of precision resistors and a quad CMOS switch in place of the DCP. The cost would be greater than using a DCP with calibration. Yet, you can achieve the tight accuracy without calibration use of the resistors and switch.

### Summary

You can modify the standard PWM with voltage feedback to convert it to a programmable PWM using a DCP using a few external resistors. You can also design the feedback in such a way as to expand the output range below the  $V_{FB}$  program level by shifting the divider reference point above ground. Yet, you do need to consider series current variation impact on your component selections.

## Notice

1. Descriptions of circuits, software and other related information in this document are provided only to illustrate the operation of semiconductor products and application examples. You are fully responsible for the incorporation or any other use of the circuits, software, and information in the design of your product or system. Renesas Electronics disclaims any and all liability for any losses and damages incurred by you or third parties arising from the use of these circuits, software, or information.
2. Renesas Electronics hereby expressly disclaims any warranties against and liability for infringement or any other claims involving patents, copyrights, or other intellectual property rights of third parties, by or arising from the use of Renesas Electronics products or technical information described in this document, including but not limited to, the product data, drawings, charts, programs, algorithms, and application examples.
3. No license, express, implied or otherwise, is granted hereby under any patents, copyrights or other intellectual property rights of Renesas Electronics or others.
4. You shall not alter, modify, copy, or reverse engineer any Renesas Electronics product, whether in whole or in part. Renesas Electronics disclaims any and all liability for any losses or damages incurred by you or third parties arising from such alteration, modification, copying or reverse engineering.
5. Renesas Electronics products are classified according to the following two quality grades: "Standard" and "High Quality". The intended applications for each Renesas Electronics product depends on the product's quality grade, as indicated below.  
"Standard": Computers; office equipment; communications equipment; test and measurement equipment; audio and visual equipment; home electronic appliances; machine tools; personal electronic equipment; industrial robots; etc.  
"High Quality": Transportation equipment (automobiles, trains, ships, etc.); traffic control (traffic lights); large-scale communication equipment; key financial terminal systems; safety control equipment; etc.  
Unless expressly designated as a high reliability product or a product for harsh environments in a Renesas Electronics data sheet or other Renesas Electronics document, Renesas Electronics products are not intended or authorized for use in products or systems that may pose a direct threat to human life or bodily injury (artificial life support devices or systems; surgical implantations; etc.), or may cause serious property damage (space system; undersea repeaters; nuclear power control systems; aircraft control systems; key plant systems; military equipment; etc.). Renesas Electronics disclaims any and all liability for any damages or losses incurred by you or any third parties arising from the use of any Renesas Electronics product that is inconsistent with any Renesas Electronics data sheet, user's manual or other Renesas Electronics document.
6. When using Renesas Electronics products, refer to the latest product information (data sheets, user's manuals, application notes, "General Notes for Handling and Using Semiconductor Devices" in the reliability handbook, etc.), and ensure that usage conditions are within the ranges specified by Renesas Electronics with respect to maximum ratings, operating power supply voltage range, heat dissipation characteristics, installation, etc. Renesas Electronics disclaims any and all liability for any malfunctions, failure or accident arising out of the use of Renesas Electronics products outside of such specified ranges.
7. Although Renesas Electronics endeavors to improve the quality and reliability of Renesas Electronics products, semiconductor products have specific characteristics, such as the occurrence of failure at a certain rate and malfunctions under certain use conditions. Unless designated as a high reliability product or a product for harsh environments in a Renesas Electronics data sheet or other Renesas Electronics document, Renesas Electronics products are not subject to radiation resistance design. You are responsible for implementing safety measures to guard against the possibility of bodily injury, injury or damage caused by fire, and/or danger to the public in the event of a failure or malfunction of Renesas Electronics products, such as safety design for hardware and software, including but not limited to redundancy, fire control and malfunction prevention, appropriate treatment for aging degradation or any other appropriate measures. Because the evaluation of microcomputer software alone is very difficult and impractical, you are responsible for evaluating the safety of the final products or systems manufactured by you.
8. Please contact a Renesas Electronics sales office for details as to environmental matters such as the environmental compatibility of each Renesas Electronics product. You are responsible for carefully and sufficiently investigating applicable laws and regulations that regulate the inclusion or use of controlled substances, including without limitation, the EU RoHS Directive, and using Renesas Electronics products in compliance with all these applicable laws and regulations. Renesas Electronics disclaims any and all liability for damages or losses occurring as a result of your noncompliance with applicable laws and regulations.
9. Renesas Electronics products and technologies shall not be used for or incorporated into any products or systems whose manufacture, use, or sale is prohibited under any applicable domestic or foreign laws or regulations. You shall comply with any applicable export control laws and regulations promulgated and administered by the governments of any countries asserting jurisdiction over the parties or transactions.
10. It is the responsibility of the buyer or distributor of Renesas Electronics products, or any other party who distributes, disposes of, or otherwise sells or transfers the product to a third party, to notify such third party in advance of the contents and conditions set forth in this document.
11. This document shall not be reprinted, reproduced or duplicated in any form, in whole or in part, without prior written consent of Renesas Electronics.
12. Please contact a Renesas Electronics sales office if you have any questions regarding the information contained in this document or Renesas Electronics products.  
(Note 1) "Renesas Electronics" as used in this document means Renesas Electronics Corporation and also includes its directly or indirectly controlled subsidiaries.  
(Note 2) "Renesas Electronics product(s)" means any product developed or manufactured by or for Renesas Electronics.

(Rev.4.0-1 November 2017)



### SALES OFFICES

Renesas Electronics Corporation

<http://www.renesas.com>

Refer to "<http://www.renesas.com/>" for the latest and detailed information.

**Renesas Electronics America Inc.**  
1001 Murphy Ranch Road, Milpitas, CA 95035, U.S.A.  
Tel: +1-408-432-8888, Fax: +1-408-434-5351

**Renesas Electronics Canada Limited**  
9251 Yonge Street, Suite 8309 Richmond Hill, Ontario Canada L4C 9T3  
Tel: +1-905-237-2004

**Renesas Electronics Europe Limited**  
Dukes Meadow, Millboard Road, Bourne End, Buckinghamshire, SL8 5FH, U.K.  
Tel: +44-1628-651-700, Fax: +44-1628-651-804

**Renesas Electronics Europe GmbH**  
Arcadiastrasse 10, 40472 Düsseldorf, Germany  
Tel: +49-211-6503-0, Fax: +49-211-6503-1327

**Renesas Electronics (China) Co., Ltd.**  
Room 1709 Quantum Plaza, No.27 ZhichunLu, Haidian District, Beijing, 100191 P. R. China  
Tel: +86-10-8235-1155, Fax: +86-10-8235-7679

**Renesas Electronics (Shanghai) Co., Ltd.**  
Unit 301, Tower A, Central Towers, 555 Langao Road, Putuo District, Shanghai, 200333 P. R. China  
Tel: +86-21-2226-0888, Fax: +86-21-2226-0999

**Renesas Electronics Hong Kong Limited**  
Unit 1601-1611, 16/F., Tower 2, Grand Century Place, 193 Prince Edward Road West, Mongkok, Kowloon, Hong Kong  
Tel: +852-2265-6688, Fax: +852-2886-9022

**Renesas Electronics Taiwan Co., Ltd.**  
13F, No. 363, Fu Shing North Road, Taipei 10543, Taiwan  
Tel: +886-2-8175-9600, Fax: +886-2-8175-9670

**Renesas Electronics Singapore Pte. Ltd.**  
80 Bendemeer Road, Unit #06-02 Hyflux Innovation Centre, Singapore 339949  
Tel: +65-6213-0200, Fax: +65-6213-0300

**Renesas Electronics Malaysia Sdn.Bhd.**  
Unit 1207, Block B, Menara Amcorp, Amcorp Trade Centre, No. 18, Jln Persiaran Barat, 46050 Petaling Jaya, Selangor Darul Ehsan, Malaysia  
Tel: +60-3-7955-9390, Fax: +60-3-7955-9510

**Renesas Electronics India Pvt. Ltd.**  
No.777C, 100 Feet Road, HAL 2nd Stage, Indiranagar, Bangalore 560 038, India  
Tel: +91-80-67208700, Fax: +91-80-67208777

**Renesas Electronics Korea Co., Ltd.**  
17F, KAMCO Yangjae Tower, 262, Gangnam-daero, Gangnam-gu, Seoul, 06265 Korea  
Tel: +82-2-558-3737, Fax: +82-2-558-5338